



Pump Model - version

K 50/800 T - N.3.- -

Attention: check the correspondence with the serial number of the pump.

Company Name
Reference
Phone
Fax
E-mail

Receiver

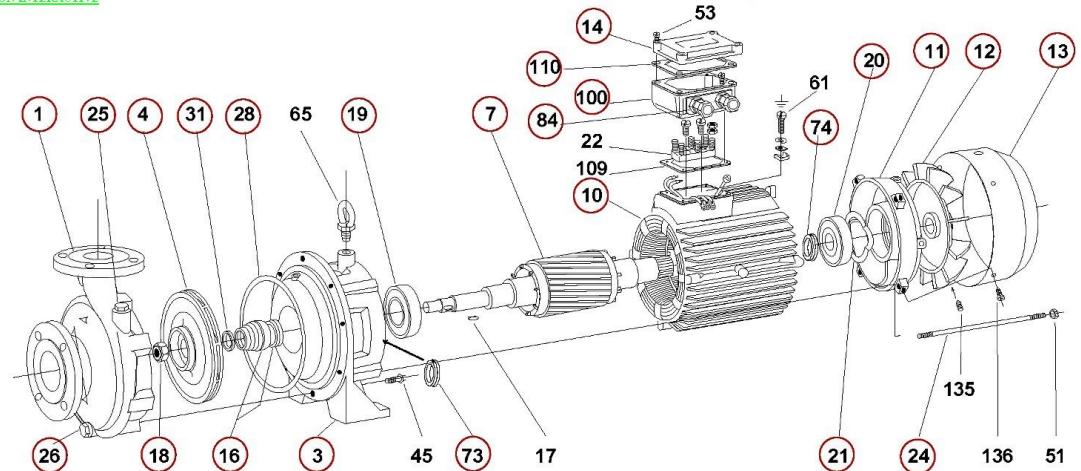
From

K 50/800 T - N.3.- - @ 102130070_a

K 50/800 T @ 102130070

Item	Q.ty	Item no.	Description	Unit pr.
1	1	148120190	PUMP BODY	On req.
3	1	161450090	MOTOR/PUMP SUPPORT	On req.
4	1	160750070	IMPELLER D.209 CAST IRON	On req.
7	1	145002030	SHAFT W/ROT.	On req.
10	1	130642240	&MOTOR MEC132 H180 400/50-60 EJE	On req.
11	1	164050000	&MEC132 MOTOR COVER	On req.
12	1	160730040	&FAN MEC132 W/KEY	On req.
13	1	164200040	MEC132 FUN COVER ZNT	On req.
14	1	164030050	MEC132 TER.-BOX COVER IP65	On req.
16	1	148621320	COMPLETE MECH.SEAL D.28 UNITEN3	On req.
18	1	002520669	NUT ES LOCK..M18 ZNT 8 UNI7474	On req.
19	1	002310012	&6309-2Z/C3 D.45X100X25 BEARING (60148457)	On req.
20	1	002310010	BEARING 6308-2Z/C3WT D.40X90X23	On req.
21	1	002570005	LMKAS D.90A THRUST WASHER	On req.
24	3	167100450	TIE ROD L=297	On req.
25	1	168420010	PRIMING PLUG 1/4" BRASS	On req.
26	1	168420010	PRIMING PLUG 1/4" BRASS	On req.
28	1	002225386	OR-4825 209,14X 3,53 EPDM	On req.
31	1	162520160	SHAFT SEAL SPACER D.34H3	On req.
73	1	002210568	V-RING	On req.
74	1	002210566	V-RING	On req.
84	1	002740186	CABLE GLAND PG21 CM18 LEGRAND 98015	On req.
100	1	164030070	MEC132 TERM-BOX KIT . IP65	On req.
110	1	168060040	GASK. X TERM-BOX COVER .MEC132-SIZE.IP65	On req.

NON INTERACTIVE



Project	Project ID	Created by	Created on 2013-04-02	Last update
---------	------------	------------	--------------------------	-------------